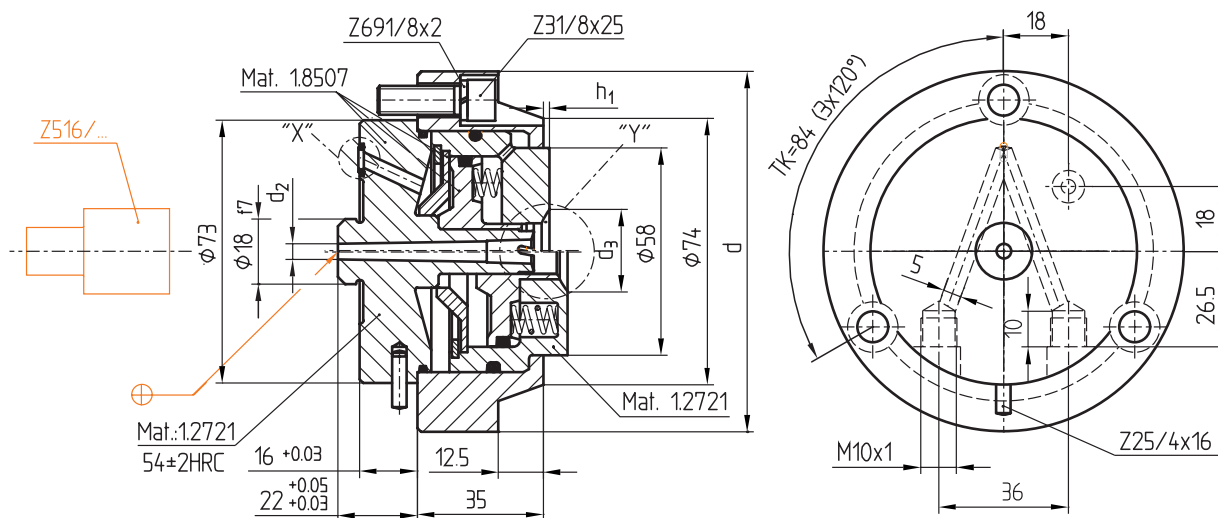
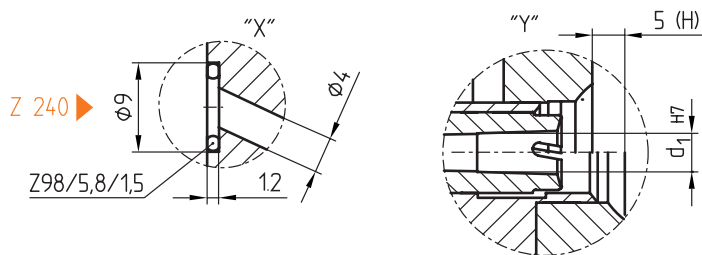


Z515/...



► Info



H = Hub/Stroke/Course

h_1	d_3	d_2	d	d_1	S_r	Nr./No.
1	-	4,2	100	6	-	Z515/100/6
4	24	5,6	100	7,5	15	Z515/100/6 /15
						7,5/15
2,5	30	4,2	100	6	40	6 /40
						7,5/40

This is trial version
www.adultpdf.com